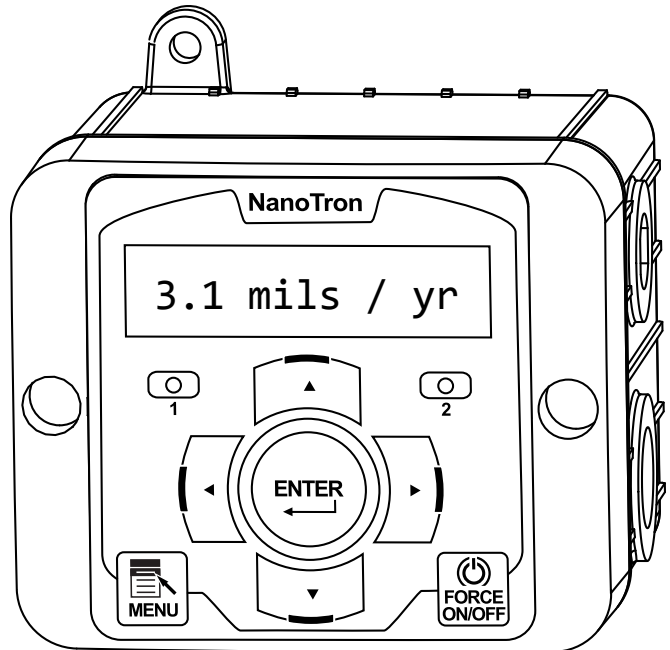


NanoTron-M

Corrosion Monitor and Control

Linear Polarization Resistance (LPR) Corrosion Rate Measurement



Key Features

- Compact Design
- Simple Step Through Menu
- NEMA 4X Style Enclosure
- Raised Dome Keypad
- Non-Volatile Memory
- 2 Year Warranty
- Prewired Configuration

Application

The NanoTron-M provides compact microprocessor based corrosion monitor control with many standard features and the flexibility to adapt to a variety of applications.

The NanoTron's simple step through menu provides user-defined configuration of set point relay activation with differential, high and low alarm.

A control relay and scalable analog output provide control, alarm and communication capabilities.

Base Model

NANO-M Corrosion Monitor and Control

Sensor Options:

- 0 = No Sensor
- 1 = Mild steel, low temperature
- 2 = Copper, low temperature
- 3 = Cupro-Nickel, low temperature
- 4 = Admiralty Brass, low temperature

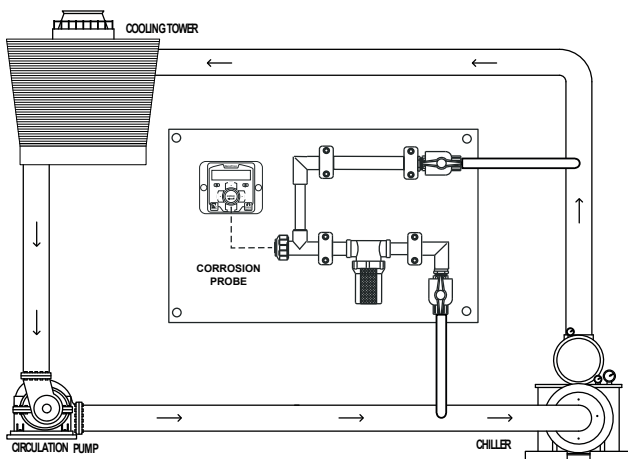
NanoTron standard features include:

- 1 relay output (control)
- Scalable analog output (4-20mA, 0-5 VDC)

Options

Your unit may be supplied with one or more options listed at the end of the model number. This list represents our most popular options. For a complete list of options, consult the factory.

A Conduit connections



Typical Installation

Specifications

Electrical

- **Input:** 120 VAC, 50/60 Hz
- **Control/Alarm:** Input VAC, 5 Amp / relay
Prewired units are supplied with an 8' (248.84 cm) power cord and an 8" (20.32 cm) output receptacle.
- **Analog Output:** Isolated 4-20mA, 0-5 VDC (user selectable, scalable)

Operational

- **Display:** LCD 1 x 16 backlit alphanumeric
- **Keypad:** 6 button, raised dome tactile feedback

Enclosure

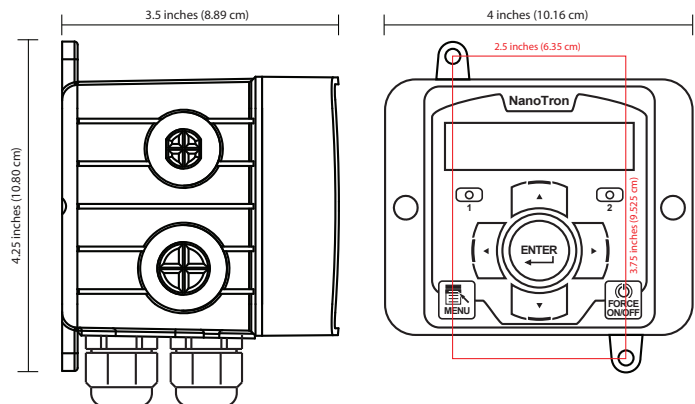
Heavy duty NEMA 4X style high impact thermoplastic

Environment

Ambient temperature: 0° to 125°F (-17 to 52°C)
Relative humidity: 0 to 100%

Shipping Weight: Approximately 2 lbs. (0.91 kg)

Dimensions: Width: 4" (10.16 cm)
Height: 4.25" (10.80 cm)
Depth: 3.5" (8.89 cm)



Get the Advantage



4700 Harold Abitz Dr
Muskogee, OK 74403
800-743-7431 phone
888-686-6212 fax
www.advantagecontrols.com